

4 HOLES SAE-A REVERSIBLE GEAR PUMPS WITH REAR AND SIDE PORTS

FAMILY CODE

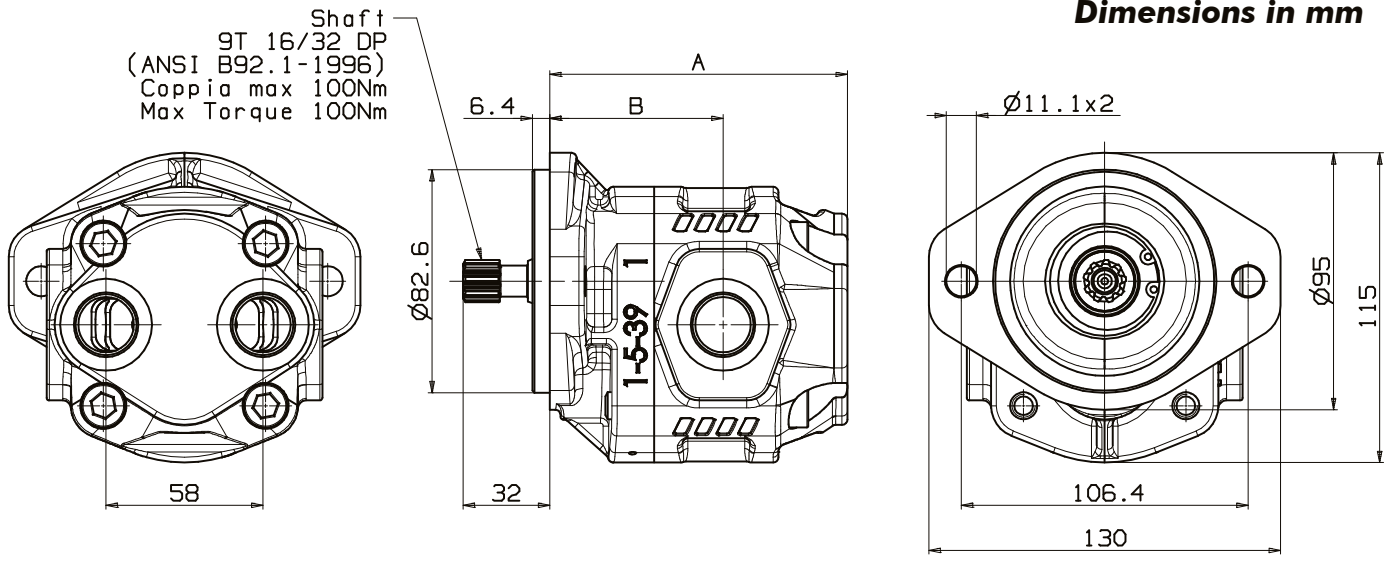
105-034

NPLH SAE-A



Fluid	Mineral or synthetic compatible with the following seals: NBR, FKM, FPM, Nylon			
Kinematic viscosity suggested	Average ambient temp. (°F)	5°F ÷ 176°F		
	VG (cSt = mm ² /s)	22	32	46
Optimale kinematic viscosity		VG= 10 cSt ÷ 100 cSt		
Max kinematic viscosity suggested at the start-up		VG= 750 cSt		
Viscosity index suggested		VI > 100		
Oil filtering		> 2900 PSI: 0.393 mils < 2900 PSI: 0.984 mils		
Inlet pressure		10.15 ÷ 43.5 PSI (Absolute)		
Pump rotation		Bidirectional		

Dimensions in mm



Pump type	Order code	IN	OUT	A	B
		ISO 725		mm	mm
NPLH-10	105-034-10103	7/8-14 UNF-2B SAE 10		100.6	67.1
NPLH-12	105-034-10121			110.1	64.1
NPLH-16	105-034-10167			116.6	70.6
NPLH-20	105-034-10201			124.6	75.6
NPLH-25	105-034-10256	1 1/16-12 UN-2B SAE 12		135.6	86.6
NPLH-32	105-034-10327			150.6	97.6
NPLH-40	105-034-10407				



NO RADIAL LOADS ALLOWED ON PUMP SHAFT

pag.1



O.M.F.B. S.p.A. Hydraulic Components
We reserve the right to make any changes without notice.
Edition 2008.11 No reproduction, however partial, is permitted.
Via Cave, 7/9 25050 Provaglio d'Iseo (Brescia) Italy Tel.: +39.030.9830611
Fax: +39.030.9839207-208 Internet:www.omfb.it e-mail:info@omfb.it

COMPANY WITH
QUALITY SYSTEM
CERTIFIED BY DNV GL
= ISO 9001 =

TECHNICAL FEATURES

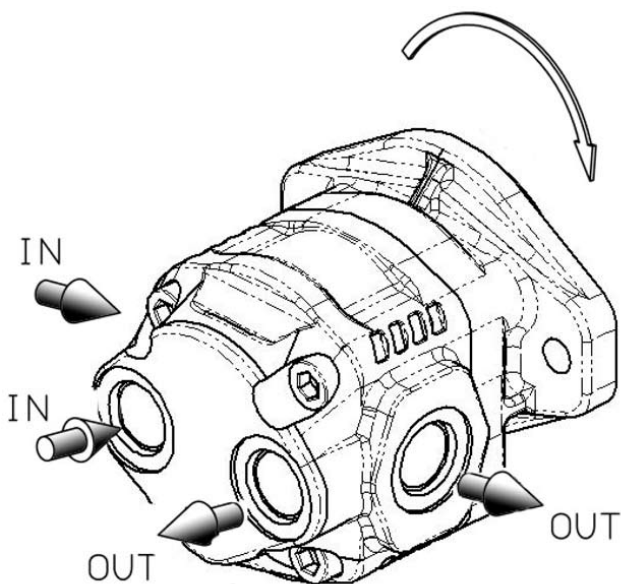
Pump type	Displacement inch ³ /rev	Pressure			Max. continuous speed rpm	Max. intermittent speed rpm	Min. speed rpm
		P1 PSI	P2 PSI	P3 PSI			
NPLH-10	0,610	4060	4495	4713	2200	3000	300
NPLH-12	0,727						
NPLH-16	0,976						
NPLH-20	1,22	3770	3915	4060	2000	2800	
NPLH-25	1,538	3190	3190	3263			
NPLH-32	1,953	2610	2610	2755	1800	2500	
NPLH-40	2,44	2030	2030	2175			

P1=Max. continuous pressure (100%)
 P2=Max. Intermittent pressure (20 sec.max.)
 P3=Max. peak pressure (6 sec.max.)

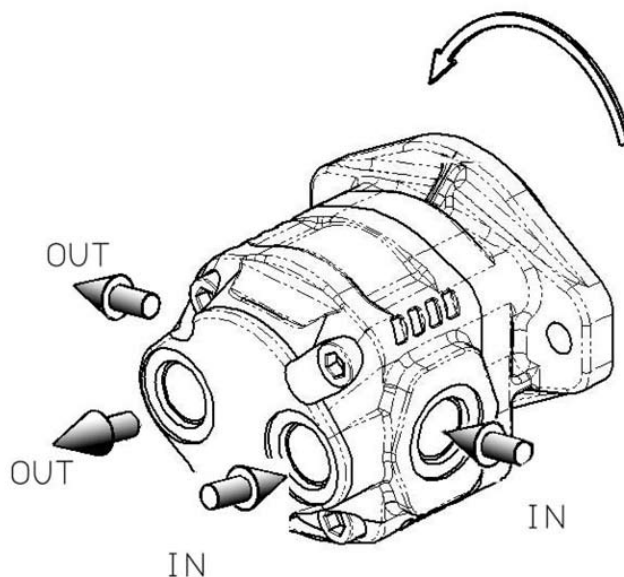
The pump pressure is limited by the max couple wich can be transferred from the shaft.

SUCTION/DELIVERY IDENTIFICATION:

Anti-clockwise rotation, left pump



Clockwise rotation, right pump



Data: Martedì 7 marzo 2017

Codice foglio: 997-105-00435 Rev. AC